

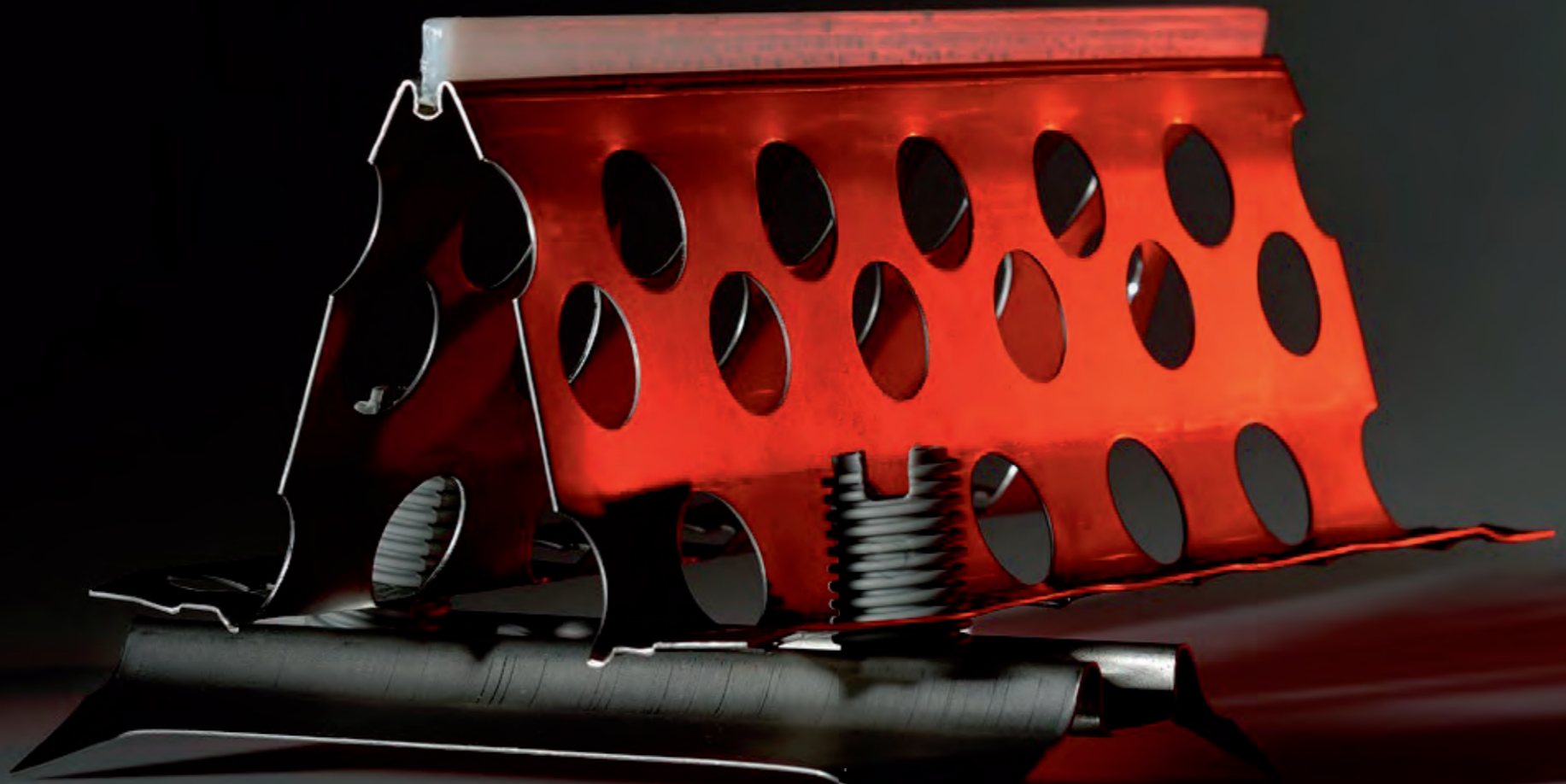
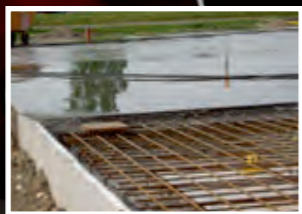
COMBIFORM – AN EXCELLENT CHOICE

We are a high quality manufacturer of a premium product with fast deliveries, suitable for both small and large customers wherever they are.



THE PERFECT FIT FOR CONCRETE FLOOR

Discover CombiForm as the easy and accurate Screed rail system when You require a high quality and durable concrete floor.



COMBIFORM

Superior floor leveling system

The Company CombiForm AB was founded in the early 1990's in Sweden. Throughout the years, CombiForm has become a well-known brand in the construction industry as "The" Screed Rail System. Recommended by the main manufacturers of concrete flooring equipment, CombiForm is proven superior in its field.

The System

With few components it offers a stable module system.

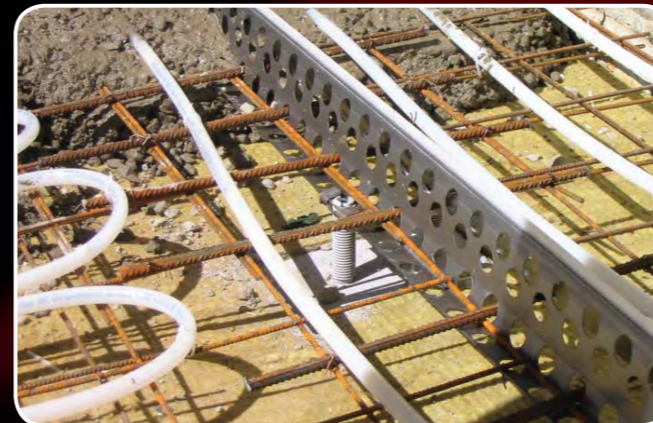
- Leave in place screed rail and stopper
- Form work – allows continuous pouring
- Dowel bar holder
- Strong construction joints and/or contraction joints
- Available in seven heights
- Superior strength
- Light weight
- Stackable – minimize storing needs
- Suitable for all beddings – inside and outside
- Crack allocation – controlled crack area from curing to entire lifetime
- Accurate levelling
- High quality and durable floor instantly
- Can be used in every temperature condition

Some of the benefits of CombiForm are:

- Available in seven heights
- Leave-in-place screed rail and stopper
- Suitable for all beddings
- Allows continuous pouring
- Brilliant simplicity – easy and flexible
- Super flat floors
- Superior strength
- True construction joint – without cutting
- Light weight – reduces the risk of industrial injuries
- Saves on labour and production costs

CombiForm is perfect to use as:

- Screed rail
- Form system
- Dowel bar holder
- Construction joint



Examples of sites where CombiForm has been used:

- Heathrow Terminal 5 and external pave ways
- Petrol station forecourts throughout Great Britain
- Superstores throughout Great Britain
- Royal Worcester Hospital, PFI Project
- Chemistry Block, Exeter University
- Newton Abbott College
- Mormon churches in hospital grounds in association with NHS Trusts
- Nuclear Power Stations
- Celtic Manor Golf Club, Newport South Wales
- MOD Projects



Royal Worcester Hospital, PFI Project



BP forecourt



Celtic Manor Golf Club, Newport South Wales

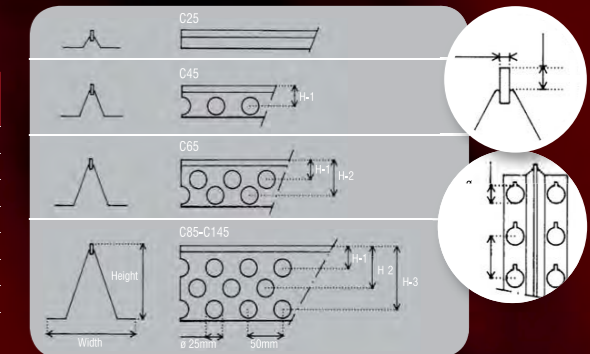
TECHNICAL INFORMATION & SPECIFICATIONS

Screed rail (measurements in mm)

Tolerances: Length +/-5mm and height +4mm/-2mm

Product	Height	Width	H-1	H-2	H-3	Weight (kg) 2.2m
C25	25	80	-	-	-	1.7
C45	45	90	30	-	-	2.0
C65	65	105	28	47	-	2.4
C85	85	115	31	49	67	2.7
C105	105	130	32	53	88	3.5
C125	125	135	32	64	109	4.2
C145	145	160	32	75	127	4.8

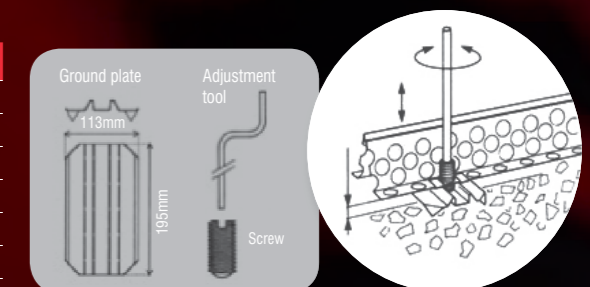
Material: Screed rail cold rolled steel DC01 and top strip Polyethylene.



Accessories (measurements in mm)

Part	Size	Package (pcs)
Screws	60	100
Screws	90	100
Ground plate	113x195	50
Top Extender	30x2200	1220
Adjustment tool	440	1
Adjustment tool	1300	1

Material: Ground plate metal and Top Extender Polypropylene

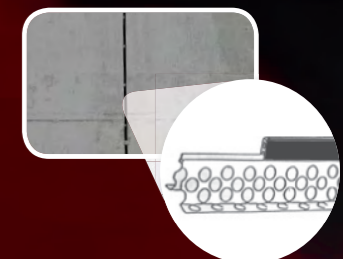


Locking clips to fix width and height available for C45-C145 screed rail



Top Extender

- Can be left in or taken out
- Will increase the cover
- Acts as a saw cut
- Cost and time saving



Settings

Vibration important!

The distance between the rail and the ground should be a minimum of 1.5x largest aggregate

