

Solco PVC Waterstops

Description:

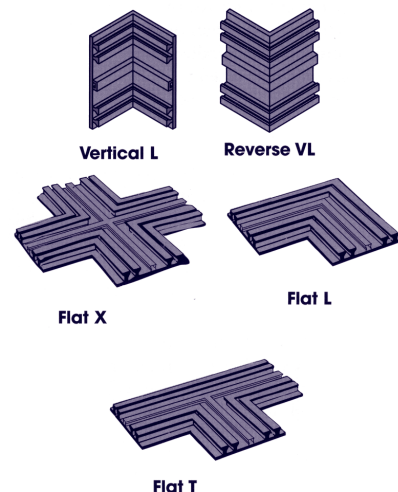
Solco high performance PVC waterstops for secure sealing of concrete structures.

These high integrity multi-finned waterstops incorporate fin control barriers which improve density and provide superior sealing. Solco waterstops are interconnectable using preformed transitions and joints to allow a continuous seal in reinforced concrete structures.

XTCB waterstops can be used in vertical and horizontal expansion joints giving two-way hydrostatic pressure resistance when cast centrally.

The XTCB / XTPW profiles are available with eyelets if required.

The range is complete with the XTRS, XTRR and XTKK profiles.



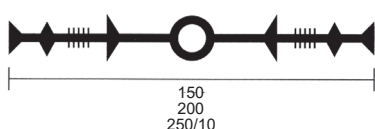
Features & Benefits:

- Wide range of profiles.
- Specific design for unique applications.
- Eyelets.
- Strength combined with flexibility.
- WRc approved for potable water.
- For use with:
 - Construction & expansion joints.
 - Contraction joints, internal / external joints.
- Fuel resistant variant available.

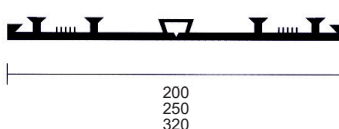
Applications:

- Water and waste water treatment facilities.
- Dams, locks, canals, water reservoirs, and aqueducts.
- Tunnels and culverts.
- Foundations.

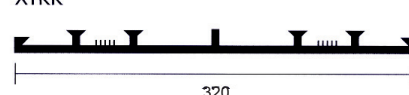
XTCB



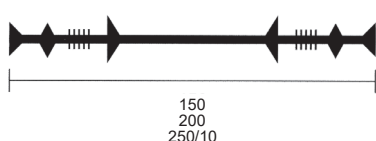
XTRS



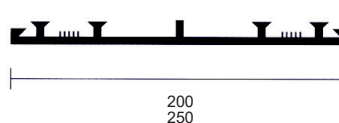
XTKK



XTPW



XTRR



Internal Expansion

Product Range	Product Size
XTCB 150	20m Coil
XTCB 150/10	10m Coil
XTCB 200	15m Coil
XTCB 250	12m Coil
XTCB 250/10	10m Coil
XTCB 300	10m Coil
XTCB 300/10	10m Coil

External Expansion

Product Range	Product Size
XTRS 150	12m Coil
XTRS 200	12m Coil
XTRS 250	12m Coil
XTRS 320	10m Coil

Internal Construction

Product Range	Product Size
XTPW 150	20m Coil
XTPW 150/10	10m Coil
XTPW 200	15m Coil
XTPW 250	12m Coil
XTPW 250/10	10m Coil
XTPW 300	10m Coil
XTPW 300/10	10m Coil

External Construction

Product Range	Product Size
XTRR 200	12m Coil
XTRR 250	12m Coil
XTRR 320	10m Coil

Product Accessories

- Jointing Jig
- 110v Hot Knife
- Gas Heated Knife